



HIMI
Hayes Ivy Manufacturing, Inc.

INSTINCT[®]
COMMERCIAL FAUCETS

Part Number
IF5405

Features

Pre-Rinse Unit

- * Overall Stainless Steel Construction
- * Titanium Valve Seat
- * 54" Flexible Hose with Quick Connect Coupler
- * 32" V Mount Bracket
- * Vacuum Breaker
- * 6' Extension Hose with Quick Connect Coupler

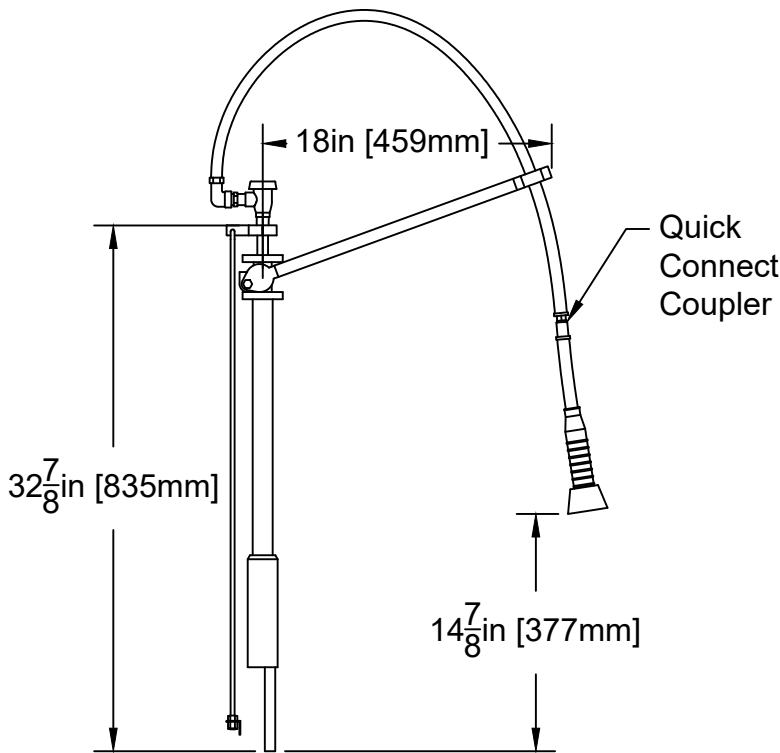
Specifications

Pre-Rinse Unit

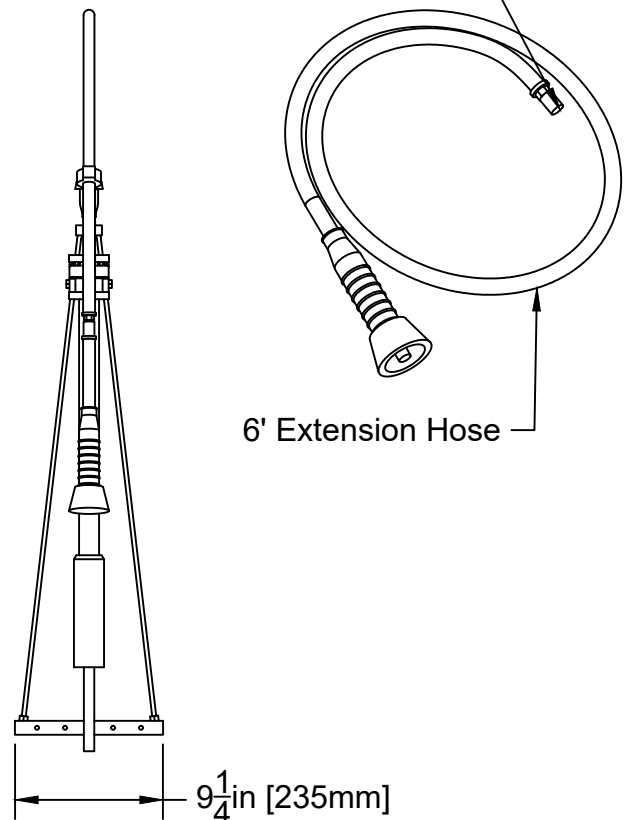
- * 1.25 GPM at 60 PSI
- * EPA Act 2005 Compliant
- * Low Lead Compliant Certified to NSF 372

Vacuum Breaker

- * Low Lead Compliant Certified to NSF 372
- * Silicone Disk Seat



Quick Connect Coupler



6' Extension Hose